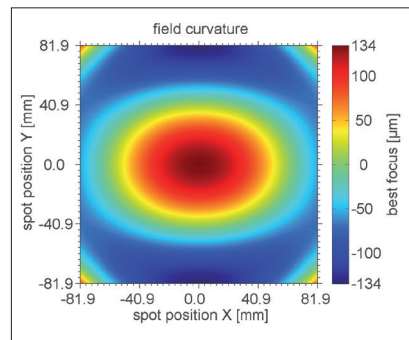
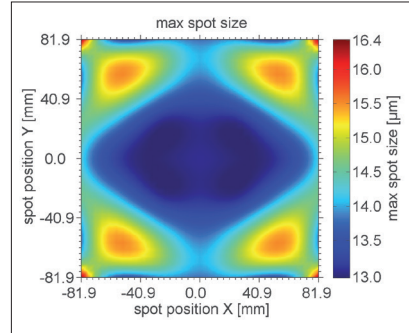


F-Theta JENar™ Lens Series

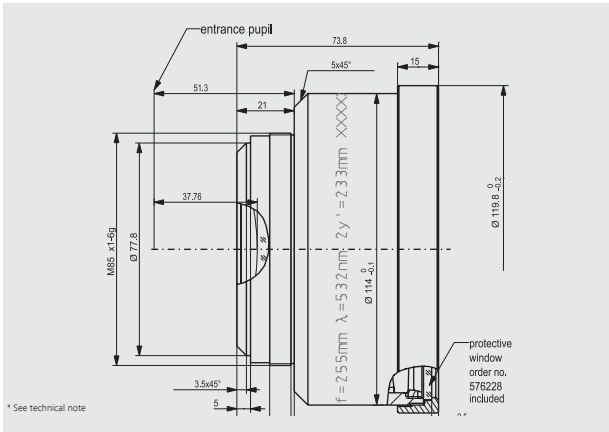
Larger Beam Diameters and Scan Fields – JENar™ 255-515...540-233

Parameters	JENar™ 255-515...540-233 Lens for larger beam diameters and scan fields
Focal length:	255 mm
Wavelength:	515...540 nm
Scan field (X x Y); Ø:	(165 mm x 165 mm); 233 mm
Diagonal scan angle:	52.1°
Back working distance:	294 mm
Flange focus distance:	347 mm
Input beam Ø 1/e²:	20 mm
Focus size Ø 1/e²:	12 µm
a1:	25 mm
a2:	39 mm
Telecentricity (only F-Theta with scanner):	14.2° 14.3°
Group delay dispersion (GDD)*:	7690 fs²
LIDT coating pulsed; CW*:	2.5 J/cm² * (τ/[ns]) ^ 0.35; 2.5 MW/cm²
LIDT system pulsed; CW*:	The system LIDT depends strongly on used laser parameters. Please be advised to test.
Weight:	1.213 kg
Order Number::	017700-205-26

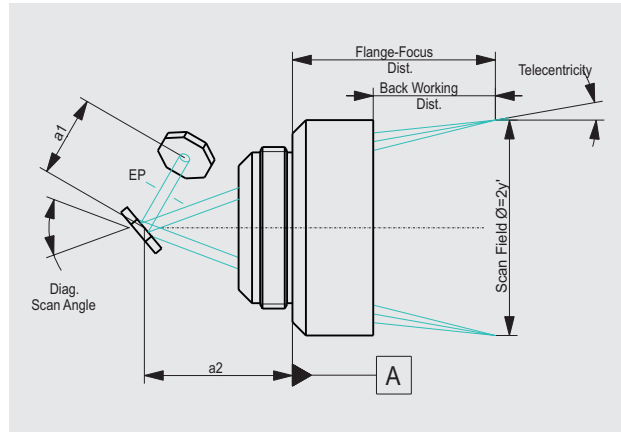
Spot properties



Specifications JENar™ 255-515...540-233



Definition of geometrical parameters



JENar®: Registered in EU, CN, JP, SG, US | F-Theta: Registered Design in EU, CN, KR, JP, SG, IN, HK, TW

The data given are nominal values for the specified application parameters. Jenoptik provides Zemax® BlackBox files for simulating application results for customized parameters (e.g. wavelength, scanner geometry, beam diameter, ...).
Back working distance, Flange focus distance, and focal length vary by ± 1.5 % due to manufacturing variances.

It is our policy to constantly improve the design and specifications. Accordingly, the details represented herein cannot be regarded as final and binding.